

Assembly Instructions

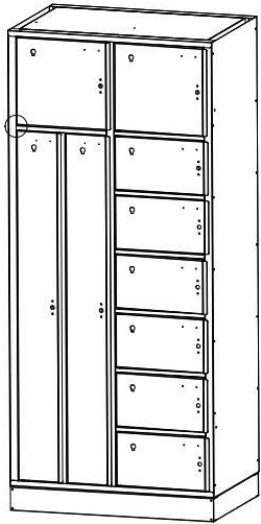
Evidence, Pass Thru, 36" W, 24" D, 82" H, 82" TH, Single, Solid, No Legs

TIP: Ensure that the bolts are installed on the outside of locker and nuts are secured on the inside of the locker.

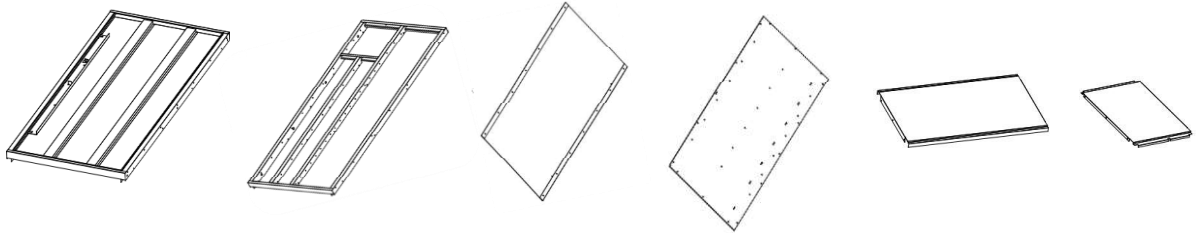
• 1 •

Identify Parts

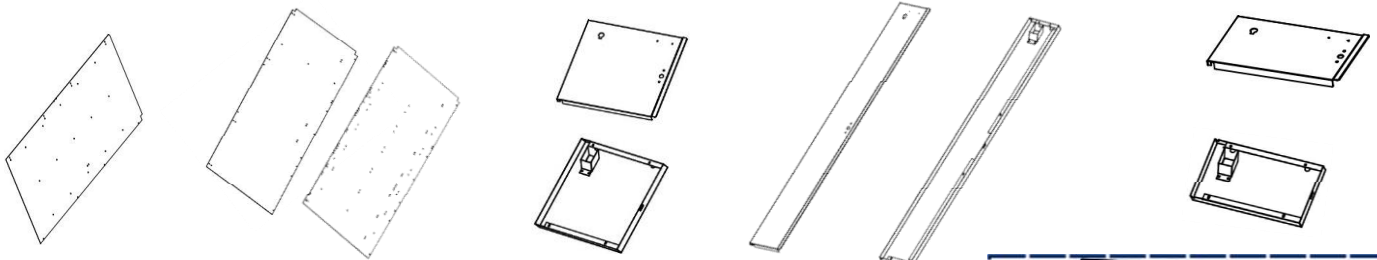
Remove unassembled locker parts from the packaging. Next, locate and identify each part based on the images show below:



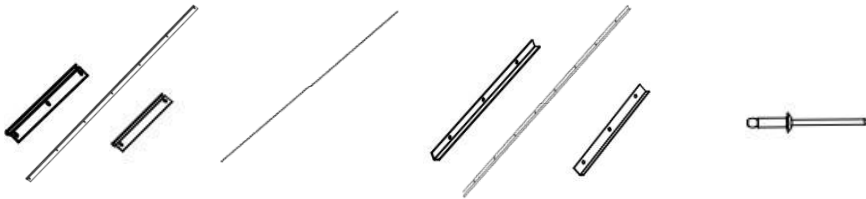
- (1) Back Door Assembly (1) Frame (2) Exp End Panels (2) Side Panels (2) Top & Bottom (7) Shelves



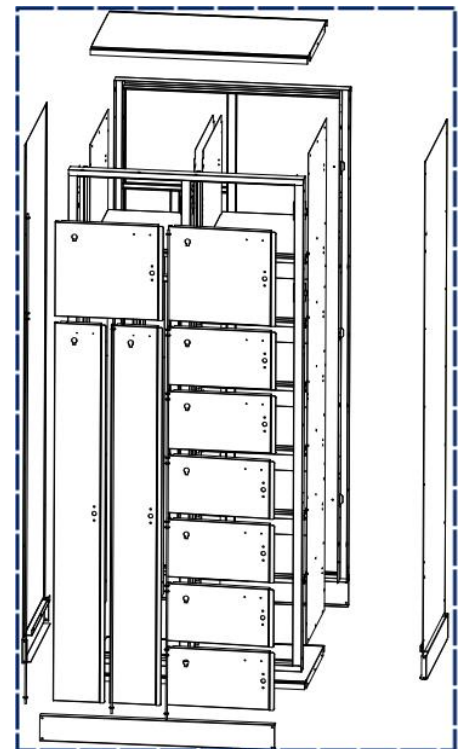
- (2) Short Dividers (2) Longer Divider LH and RH (2) Square Front Door and Inner Panels (2) Long Front Door and Inner Panels (6) Small Front Door and Inner Panels



- (10) Door Hinges (3) Hinge Pins (10) Door Stop Plates (194) Hardware



- (2) Base Front & Back (2) Base Ends (40) White Door Mats



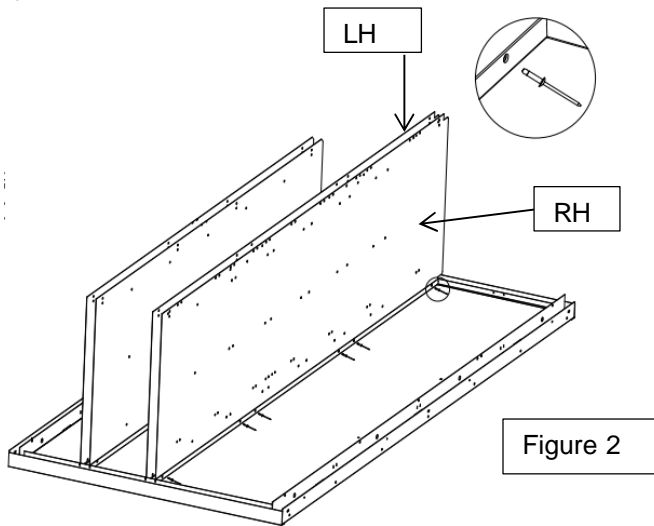
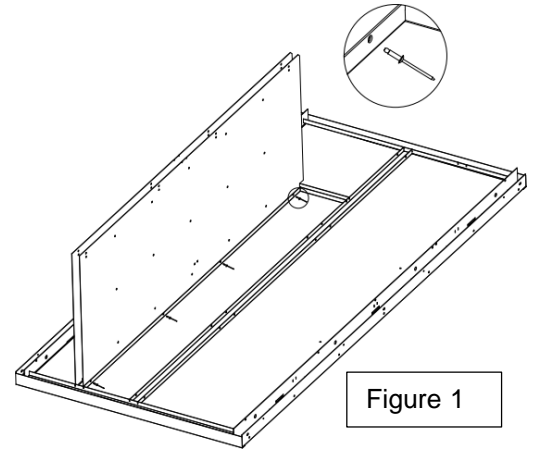
Assembly Instructions

Evidence, Pass Thru, 36" W, 24" D, 82" H, 82" TH, Single, Solid, No Legs

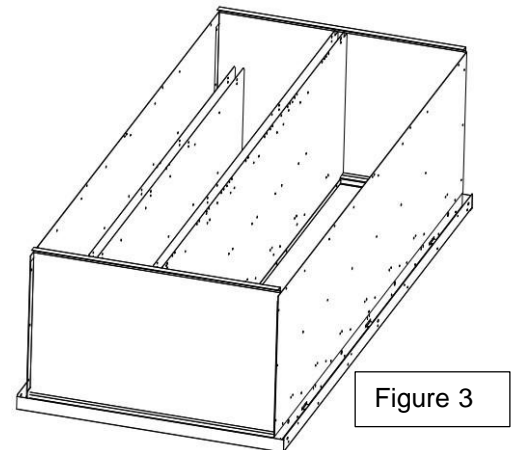
• 2 •

Start Assembling

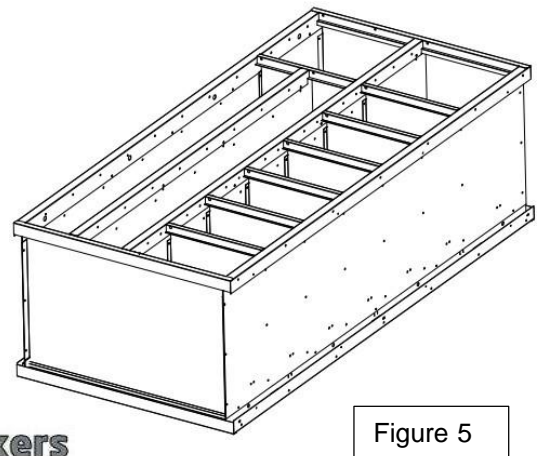
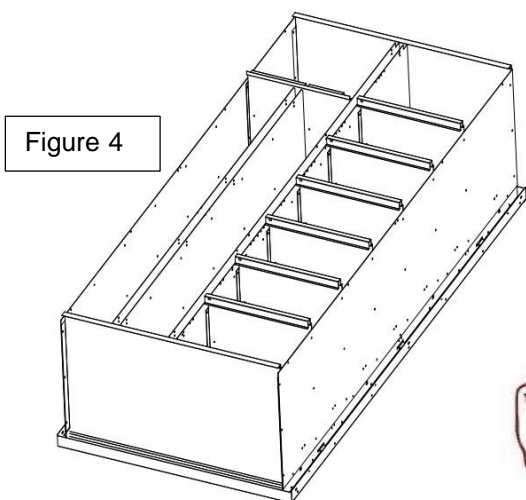
1. Place back door assembly (1) on a secure flat surface.
2. Assemble short dividers (2) to the back door assembly (1), ensuring the rivets face the correct direction. (See Figure 1)
3. Assemble the middle long dividers (2) to the back door assembly (1). Note that the right-hand divider has more holes than the left-hand divider. (See Figure 2)



4. Install the locker side panels (2), as well as the top and bottom panels (2), to the back door assembly (1). (See Figure 3)



5. Assemble the shelves (7) to the locker body. (See Figure 4)
6. Install the locker frame (1) to the locker body. (See Figure 5)



 **Jorgenson Lockers**
A div. of Jorgenson Industrial Companies
STRONG on Customer Service

Assembly Instructions

Evidence, Pass Thru, 36" W, 24" D, 82" H, 82" TH, Single, Solid, No Legs

Continued Assembly

7. Install door stop plates (10) to the locker frame. (See Figure 6)
8. Attach the hinges to each door. (See Figure 7)

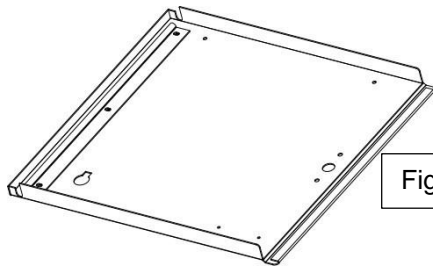


Figure 7

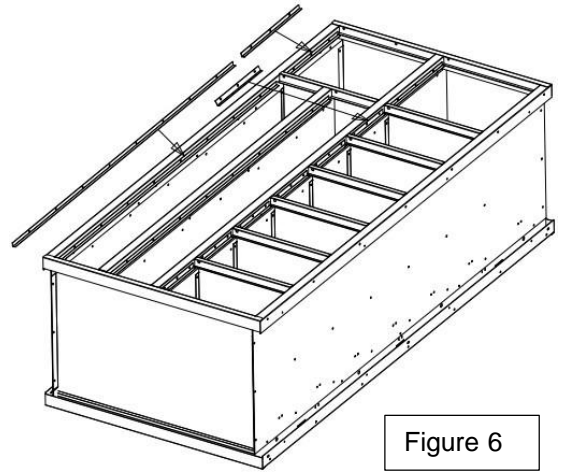


Figure 6

9. Insert the pins (3) through the frame and door hinge. Note that each door requires 4 white nylon mats: 2 on top and 2 on bottom. (See Figure 8)
10. Install the Locks and Inner door panels (10). (See Figure 9)

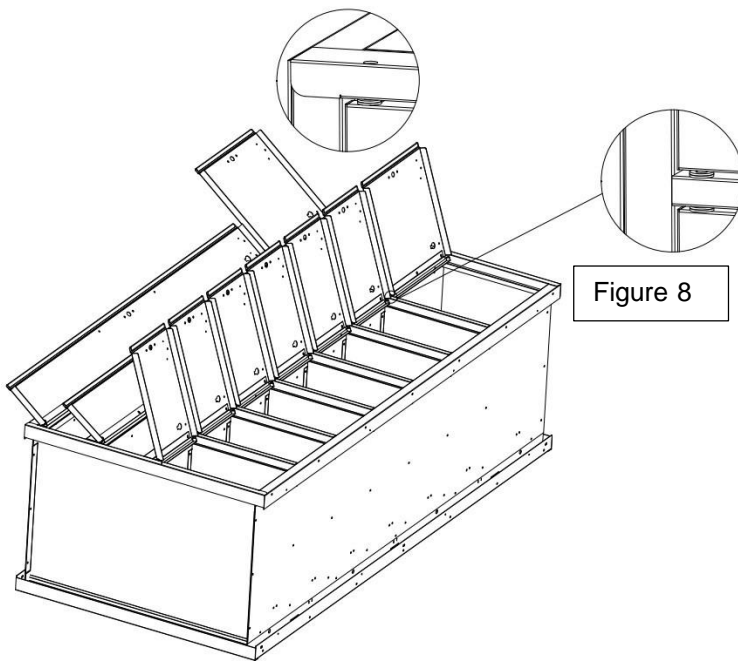


Figure 8

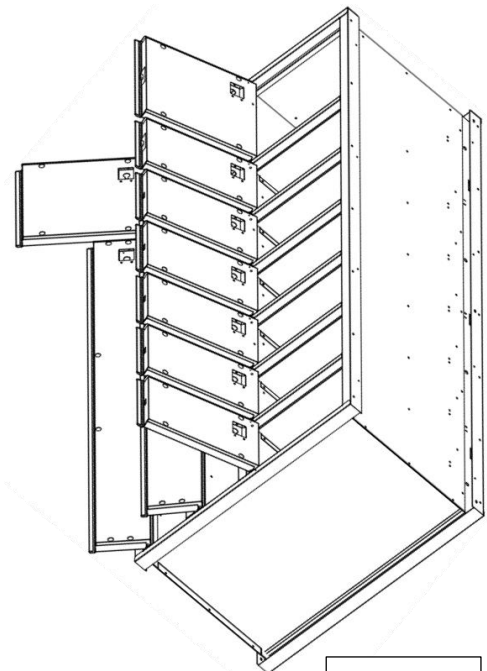


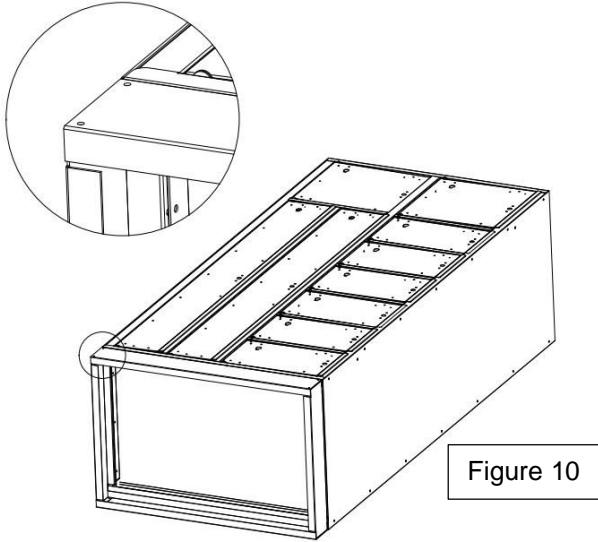
Figure 9

Assembly Instructions

Evidence, Pass Thru, 36" W, 24" D, 82" H, 82" TH, Single, Solid, No Legs

Continued Assembly

11. Install the exp end panels (2), the base front & back (2), and the locker base ends (2) to the locker. Then stand the locker upright. (See Figure 10)



There are some black felt pads in the hardware bag that can be attached to the frame to reduce noise when closing the doors.