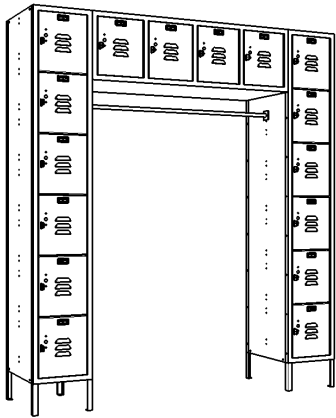


Assembly Instructions

16 Person Jorgenson Signature Lockers

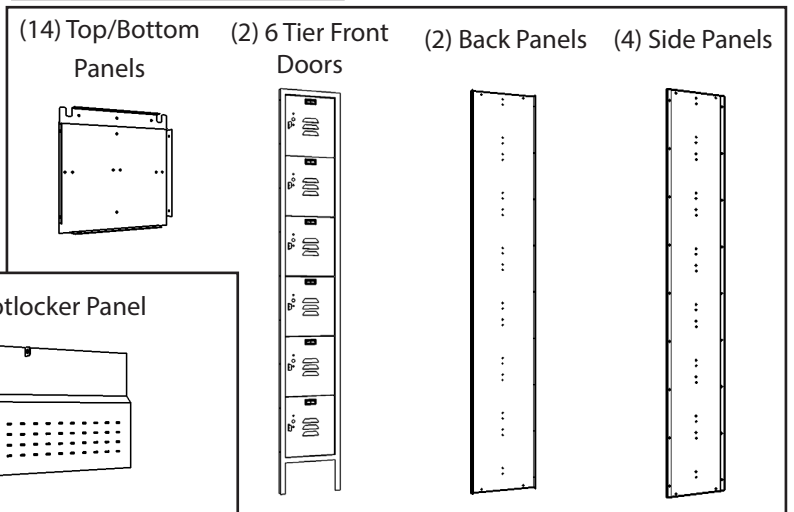


1

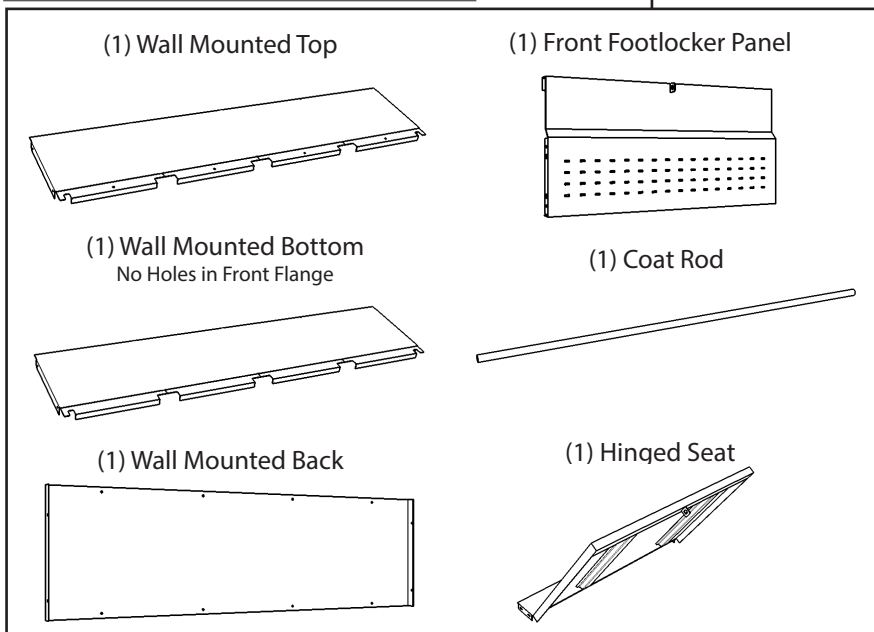
Identify Parts

Remove unassembled locker parts from the packaging. Next, locate and identify each part based on the images show below:

Parts for 6 Tier Sides



Parts for Footlocker (Optional)

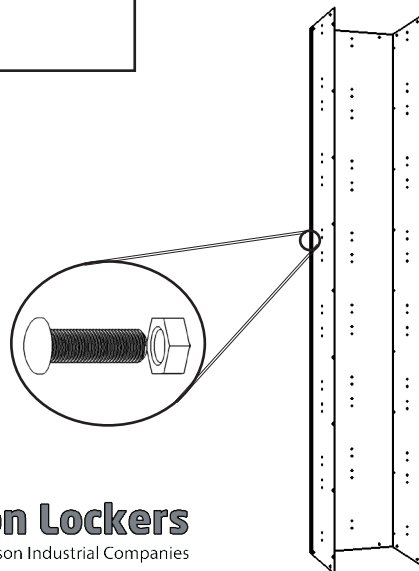


TIP: Tip: Ensure that the bolts are installed on the outside of locker and nuts are secured on the inside of the locker.

2

Start Assembling the 6 Tier Sides

- Position the back panel on straight, even flooring or pair of saw horses.
- Gently bolt the left and right side panels to the inside of each back panel. flange.



Bolt the tamper-proof screw on the inside of the locker. Only the screw heads should be visible from the outside of the locker.

Top holes are 1/2" at the top of each panel shown.



Assembly Instructions

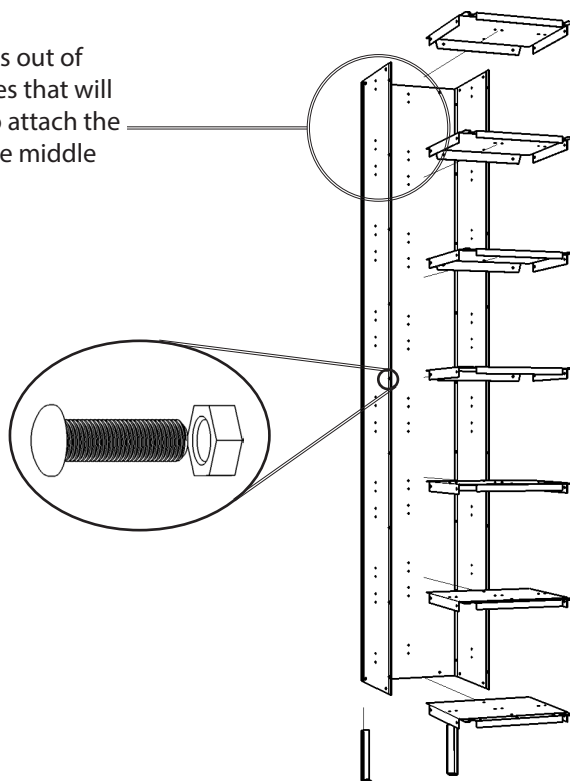
16 Person Jorgenson Signature Lockers

3

Continued Assembly

- Slightly bolt the top/bottom panels, and legs inside the side and back panel.

Leave bolts out of upper holes that will be used to attach the sides to the middle section



Note:

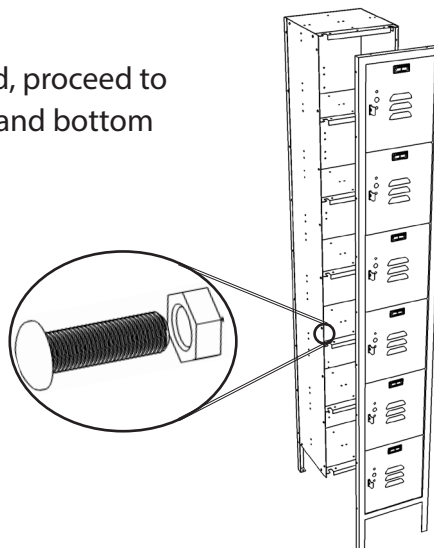
Top and bottom panels have two (2) round, pre-drilled holes that can be found on the back flange and are designed to bolt to the back panel.

Legs are now ready to be bolted. Place locker in an upright position, legs might require some adjusting in order to level the locker against the wall and floor.

4

Insert Front Door Frame

- After the top and bottom panels have been attached, proceed to insert the door frame on the outside of the left, right and bottom panels.



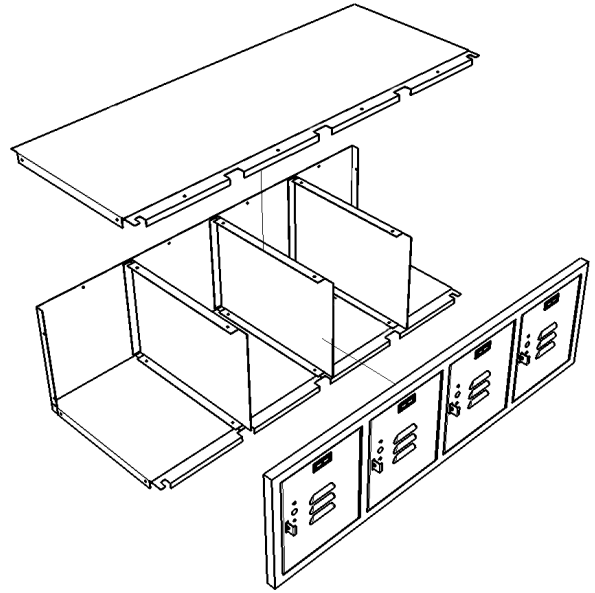
Assembly Instructions

16 Person Jorgenson Signature Lockers

5

Start Assembling Center Portion

- Position the back panel on straight, even flooring or pair of saw horses.
- Gently bolt the top and bottom panels to the inside of the back panel.
- Bolt the 3 dividers to the top and bottom panels.



6

Final Assembly

- Put both 6 tier sides and the middle section with their backs on a flat surface and bolt the 3 sections together
- Place locker in the upright position and make sure locker is level, making any necessary adjustments with locker legs.
- Slide both coat rod brackets onto coat rod and mount the brackets to the 6 tier sides
- Test the door to determine it opens properly. Bolts can be adjusted if there are any problems with opening and closing.
- Once the door is functioning correctly, tighten all bolts.
- To instill proper safety measures, we highly advise anchoring the locker to the floor or wall to avoid injury or theft.

