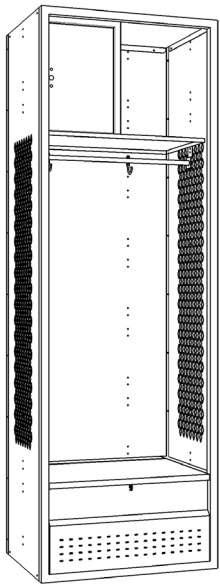


Assembly Instructions

Jorgenson Gladiator Lockers



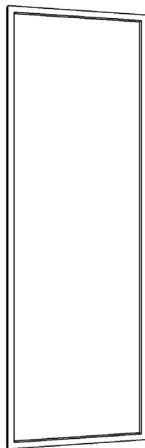
1

Identify Parts

Remove unassembled locker parts from the packaging. Next, locate and identify each part based on the images show below:

TIP: Tip: Ensure that the bolts are installed on the outside of locker and nuts are secured on the inside of the locker.

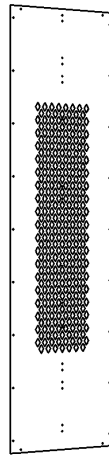
(1) Front Frame



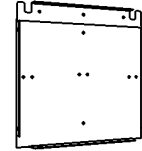
(1) Back Panel



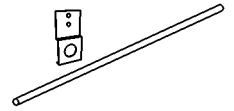
(2) Side Panels



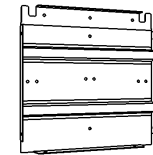
(1) Top Panel



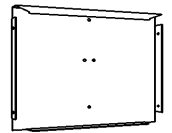
(1) Coat Rod and
(2) Brackets



(1) Bottom Shelf



(1) Shelf



2

Start Assembling

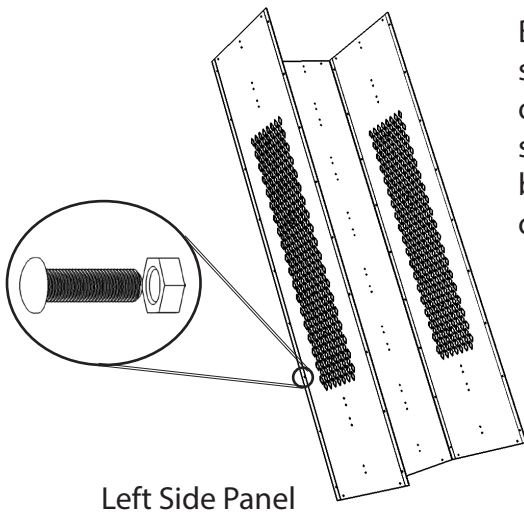
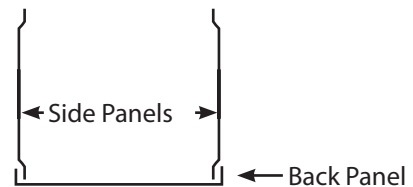
- Position the back panel on straight, even flooring or pair of saw horses.
- Gently bolt the left and right side panels to the inside of the back panel flange.

Bolt the tamper-proof screw on the inside of the locker. Only the screw heads should be visible from the outside of the locker.

Right Side Panel

View of locker with back panel flat on floor or saw horses

The left and right side panels must be placed inside the back panel flanges.



Top holes are 1/2" at the top of each panel shown.



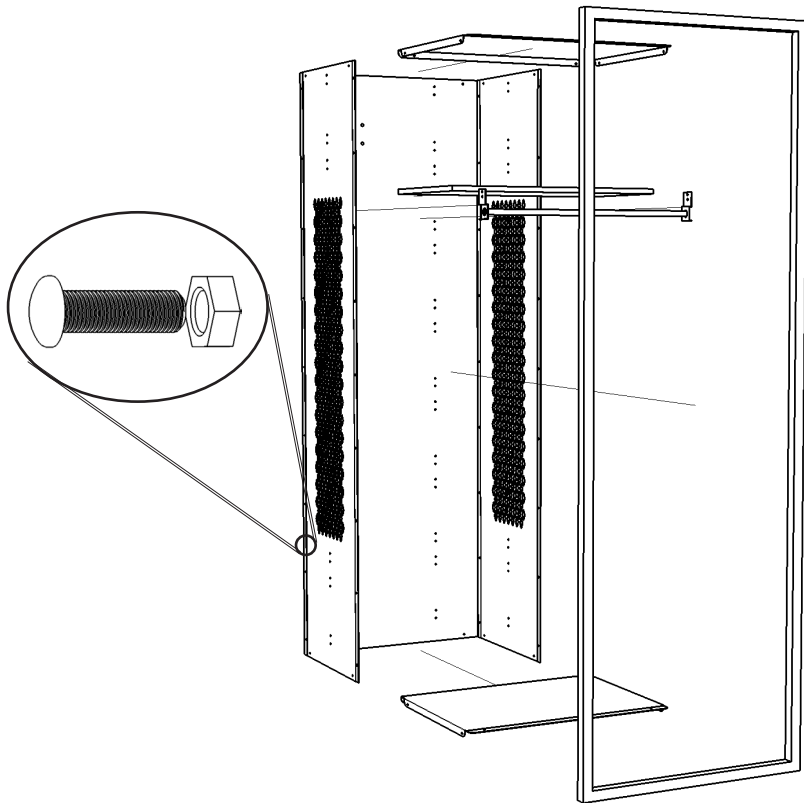
Assembly Instructions

Jorgenson Gladiator Lockers

3

Continued Assembly

- Slightly bolt the top/bottom panels, shelf, and coat rod inside the side and back panel.
- After the top and bottom panels have been attached, proceed to bolt the front frame* on the outside of the left, right and bottom panels.



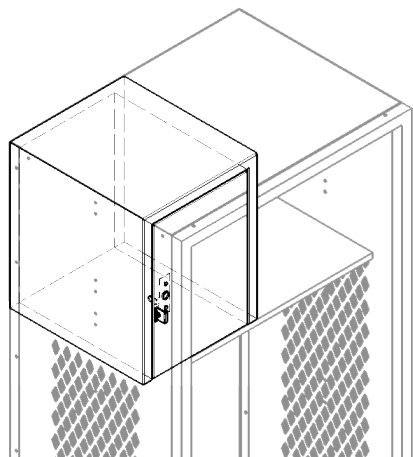
Note:

Top and bottom panels have two (2) round, pre-drilled holes that can be found on the back flange and are designed to bolt to the back panel.

*Leave out bottom bolts of front frame if installing foot locker.

4

Assemble Optional Security Box and/or Foot Locker (if applicable)



Assembly of Optional Security Box:

- Slightly bolt security box side to top panel and shelf.
- Open door to door frame assembly and bolt the frame to locker top, side, and shelves.
- Bolt door pull (or lock) to door
- Ensure alignment of all parts and tighten loose bolts

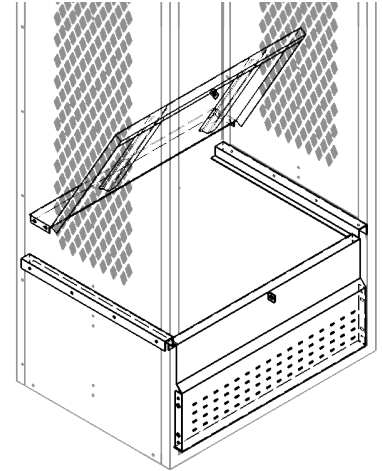


Assembly Instructions

Jorgenson Gladiator Lockers

Assembly of Optional Foot Locker:

- Slightly bolt side seat supports to side panels with the seat support slot in the front.
- Insert back flange of front foot locker panel into slots of side seat supports and loosely bolt in place.
- Loosely bolt hinged seat to side seat supports.
- Ensure alignment of all parts and tighten loose bolts



5

Insert Front Door Frame

- Place locker in the upright position and make sure locker is level.
- Tighten all bolts.
- To instill proper safety measures, we highly advise anchoring the locker to the floor or wall to avoid injury or theft.

